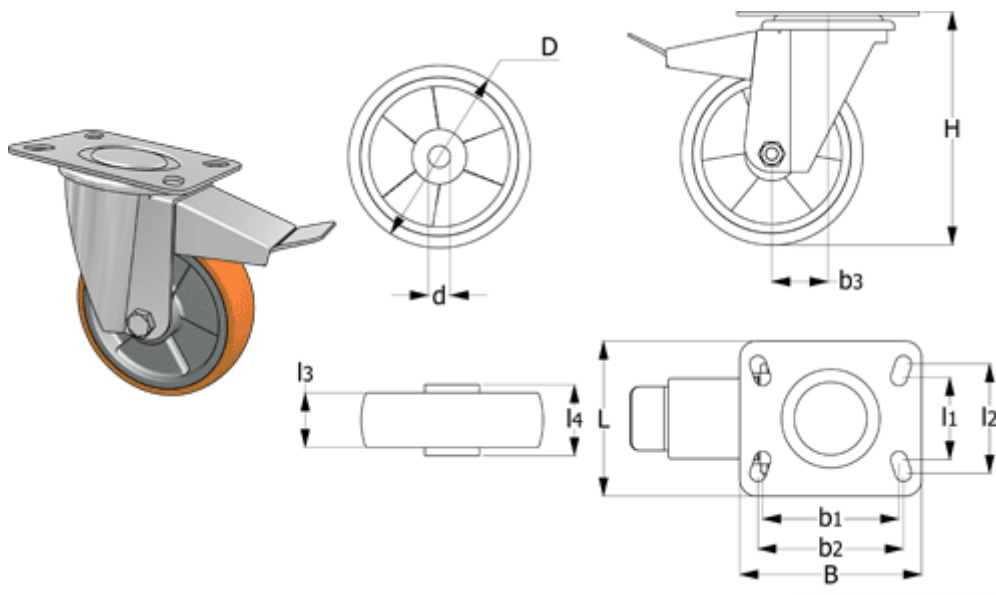


Article number: 2314451751

Description: E+G Aluminium wheel 451751  
RE.F5-125-SSF-H turning plate w/brake

## Measures



B	= 100	H	= 161	s	= 9
b1	= 75	L	= 85	Type	= RE.F5-125-SSF-H
b2	= 80	l1	= 45	Weight (g)	= 1540
b3	= 48	l2	= 60		
Code	= 451751	l3	= 35		
D	= 125	l4	= 40		
d	= 12	R	= 120		
Dynamic load (N)	= 3500	Rolling resistance (N)	= 2800		